

XS 650 Owner's Manual

Thank You for purchasing this Wet Sounds product. Wet Sounds professional marine audio products represent the ultimate in high performance marine audio. Wet Sounds speakers are specifically engineered to withstand the rigorous marine environment. The XS series of speakers were designed to provide amazing output combined with a cutting edge style. Utilizing state of the art acoustic engineering and three dimensional computer aided design, the XS series represent the most advanced marine speakers in the world.

Please take a moment to read the instruction manual before starting your installation. If you have any questions or concerns, please contact you certified Wet Sounds dealer or Wet Sounds at 877-Wet-Spkr.

SPEAKER SPECIFICATIONS

XS 650

RMS Watts: 100 watts

Peak Watts: 200 watts

Mid Bass: 6.5 inch composite woofer with rubber surround

High Frequency: Coaxially mounted Titanium Tweeter

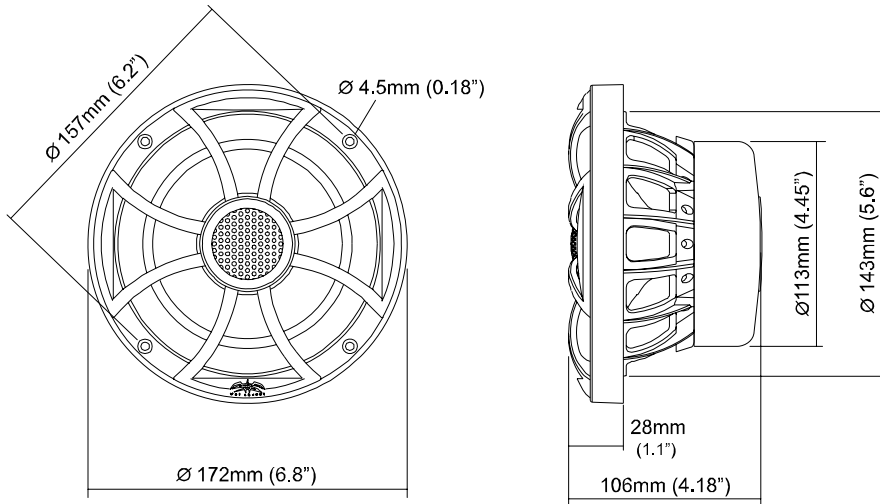
Impedance: 4 ohm

Frequency Response: 40Hz to 22kHz

Sensitivity: 90dB at 1W/1M

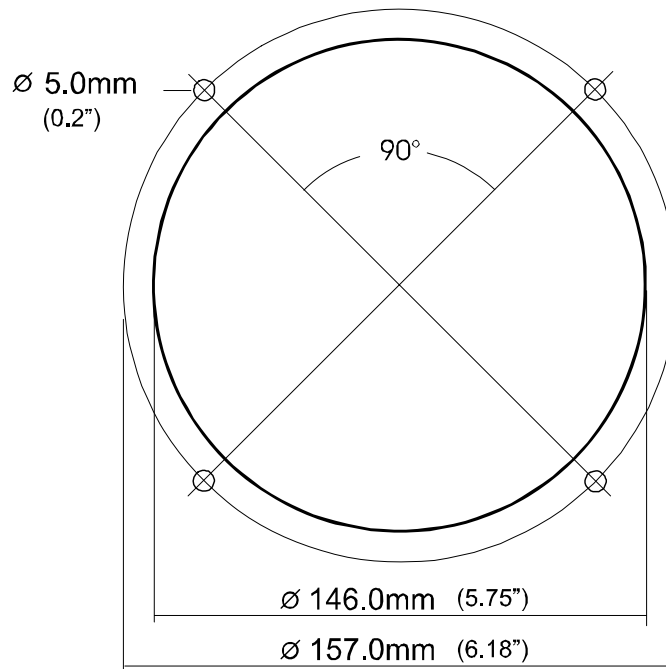
The Wet Sounds XS-650 is a component style coaxial speaker. Using advanced materials throughout such as our exclusive Nylas™ frame and grill and rubber spider. Nylas™ is a composite mix of Nylon and Fiberglass providing improved marine stability and strength over conventional materials normally used in marine speakers. Wet Sounds has also developed a rubber spider for the XS 650. Rubber is used for the spider as most marine speakers use cloth that will deteriorate over time. The XS series speakers are built to last in the harshest environments. The XS 650 has a separate tweeter that is grille mounted vs. pole piece mounted. This style of mounting system keeps a sealed woofer eliminating the chances of water intrusion down the pole piece as common with other marine/car audio coaxials.

DIMENSIONS



HOLE TEMPLATE

XS 650



Limited Warranty

What This Warranty Covers

This is a "Limited" warranty. This warranty covers any defects in materials and workmanship and this warranty only applies to the original purchaser and is not transferable. This warranty is also only valid if the original purchase was made from an authorized Wet Sounds™ dealer.

How Long Coverage Last

This warranty runs for one year from the date of the purchase. It is recommended to REGISTER your warranty online within 45 days of your purchase at www.wetsounds.com - click on "warranty registration"

What Is Not Covered

This warranty does not cover fading or discoloration caused by exposure to sunlight or chemicals such as ammonia, household bleach, or any cleaning material that contains abrasive substances. Wet Sounds, Inc. does not cover the cost for removal and reinstallation. Additionally, shipping **TO** Wet Sounds, Inc. is covered by the purchaser. This warranty is void and inapplicable if Wet Sounds™ deems that the product was abused or misused; including but not limited to damage caused by accident, mishandling, improper installation, negligence, normal wear and tear, excessive water or heat damage, freight damage or speakers that have been disassembled by anyone other than Wet Sounds™ technical staff. Wet Sounds™ shall not be responsible for any incidental or consequential damages, except to the extent provided (or prohibited) by applicable law. This warranty gives you specific legal rights, and you may also have other rights which vary from state to state.

What Wet Sounds, Inc. Will Do

Wet Sounds, Inc will repair any part of your product that proves to be defective in materials or workmanship. In the event repair is not possible, Wet Sounds, Inc will replace the product in question. If it is deemed necessary Wet Sounds, Inc. will either replace the entire product with a refurbished unit or it will be replaced with a model that is similar in price if that model is no longer available. Labor cost and materials needed to complete this service will be at no charge to the purchaser. Additionally, the cost of shipping **TO** the consumer is also covered under this warranty.

How To Get Service

Contact Wet Sounds, Inc. either by phone at 877-938-7757 or by email at warranty@wetsounds.com. A service representative will assist you in the necessary actions to concur that the problem that you are experiencing is covered under warranty and what to do if it needs to be shipped to Wet Sounds, Inc.

Internet Warning

Wet Sounds, Inc. products sold on any non authorized web site or internet auction site are void of any and all manufacturer's warranty. Please contact Wet Sounds™ at 877-938-7757 or visit our web site at www.wetsounds.com to search for an authorized site and/or an authorized retailer near you.

Wet Sounds Inc.
1-877-938-7757
www.wetsounds.com
info@wetsounds.com