

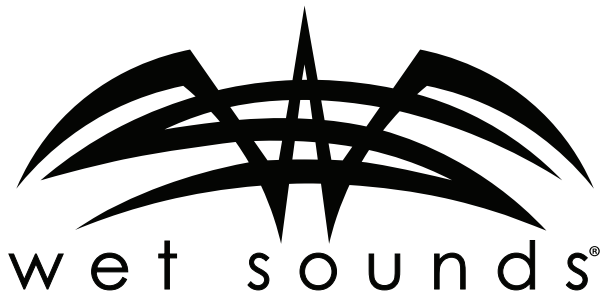


# ZERO SERIES

High-Output Component Speakers

## Owner's Manual





## Congratulations!

Thank you for choosing this Wet Sounds™ product!

Wet Sounds is synonymous with live, loud, and clear audio solutions, built to serve the needs of the marine and powersports enthusiast. ZERO Series™ is a first of its kind innovation for Wet Sounds, taking the legendary REV tower speaker performance and re-imagining it for optimal use in more confined spaces.

The high-output in small, sealed enclosures means ZERO Series allows for ZERO compromises. These speakers can also be used with or without a twist-lock grille, making them ideal for both custom and OEM replacement applications. ZERO Series speakers and subwoofers utilize materials such as Nylas™, a composite of nylon and fiberglass, providing improved stability and superior strength versus conventional speaker materials.

Please take a moment to read the instruction manual before starting your installation. The guide will explain the benefits of the technologies developed by Wet Sounds and will help you understand the correct installation methods and use of this product. If you have any questions or concerns, please contact an authorized Wet Sounds dealer. You may also contact Wet Sounds technical support by dialing 1-877-WET-SPKR (1-877-938-7757).

### **!WARNING!**

We build all Wet Sounds products to play at high volumes for extended periods of time. Your ears however are not designed for high volume listening. This product can easily generate high volumes that can permanently damage your hearing. We urge you to limit your exposure to very high volume sound. You may also find your state laws governing the volume of an audio system. Please be aware of all local and state laws in your area. A properly tuned and operated audio system will deliver years of enjoyment when used properly.

# TABLE OF CONTENTS

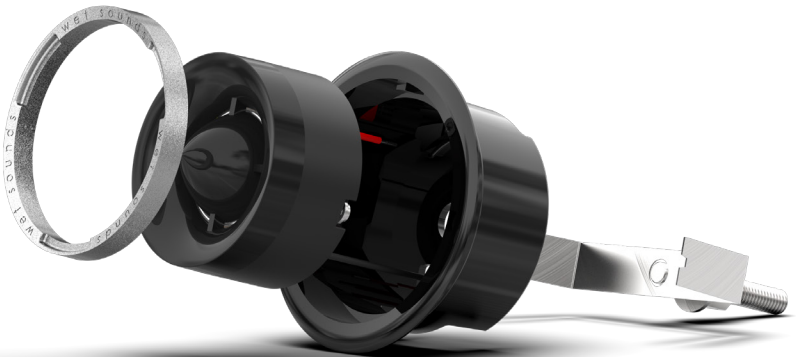
Please take a moment to look over this instruction manual before enjoying the product.

---

ZERO 6 Component Technical Specifications ..... 4

ZERO 6 Component Installation Guide ..... 5 - 6

Limited Warranty ..... 7



# TECHNICAL SPECIFICATIONS

---

## ZERO 6 Component Specification

RMS: 100W

Peak: 200W

Impedance: 4Ω

Frequency Response: 65 Hz - 20 kHz

Sensitivity: 90 dB at 1W/m

## Component Application

PEN Diaphragm Horn-Loaded Tweeter

High-Strength Nylas™ Composite Frame

Rigid PMS Composite Cone

TPR Surround Suspension System

Reinforced Nomex Aramid Spider

Incorporated Motor Heatsink

Oversized Neo Motors for High Power Handling

Optimized for Demanding Environment

Twist-Lock Grille Design

## Dimensions

(A) Speaker Diameter w/ Grille: 6.89" (175 mm)

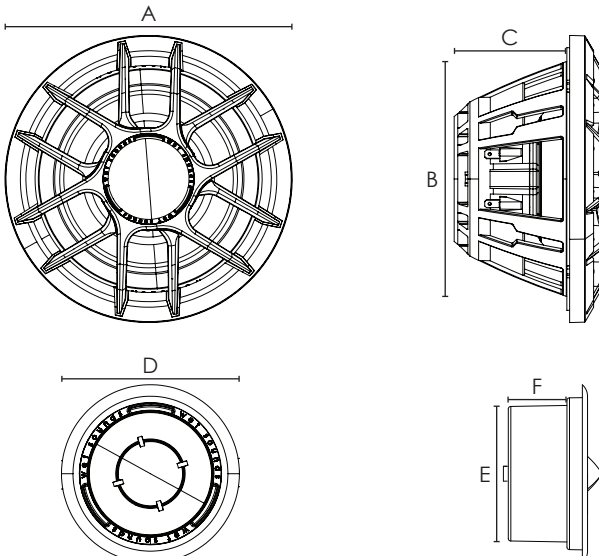
(B) Speaker Hole Cut-Out: 5.62" (143 mm)

(C) Speaker Mounting Depth: 2.71" (69 mm)

(D) Tweeter Diameter: 2.725" (69 mm)

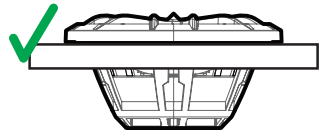
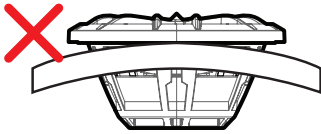
(E) Tweeter Hole Cut-Out: 2.35" (59.69 mm)

(F) Tweeter Mounting Depth: 1.136" (28.854 mm)

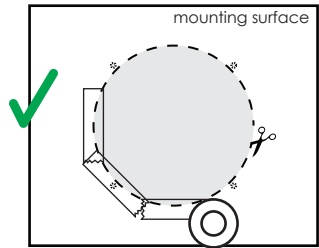
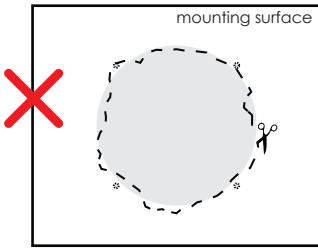


# INSTALLATION GUIDE

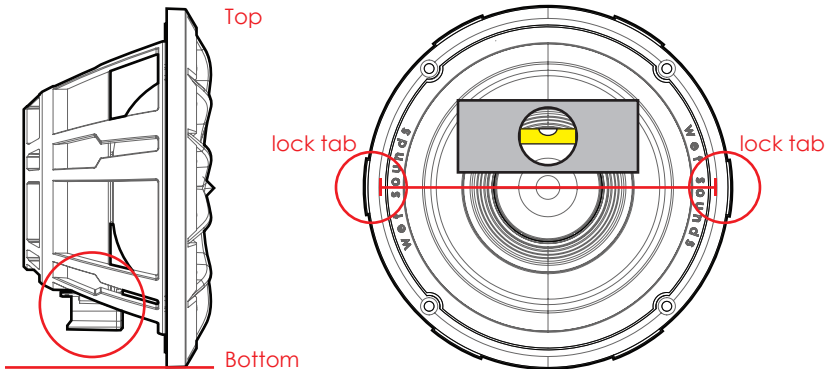
- ① We recommend checking if the mounting surface is flat with a square or level. Mounting to a curved surface will damage the product.



- ② Tape the surrounding surface to prevent damaging the finish, and avoid cutting outside the cut line to prevent improper fitment.

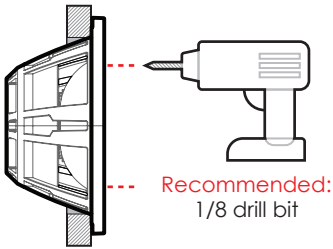


- ③ For speaker alignment, the terminal indicates the bottom of the speaker, and the opposing lock tabs help for horizontal alignment.

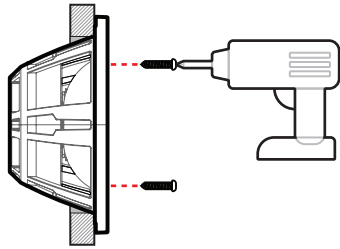


# INSTALLATION GUIDE

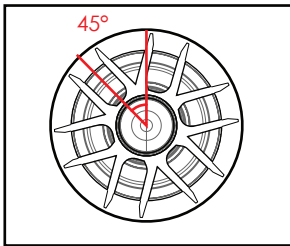
- ④ Pre-drill the screw locations to prevent surface cracking.



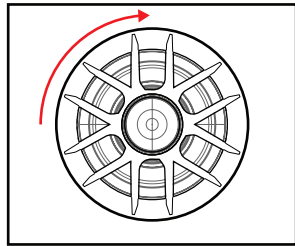
- ⑤ Fasten the speaker with stainless steel 5/32" x 1.25" Phillips screws.



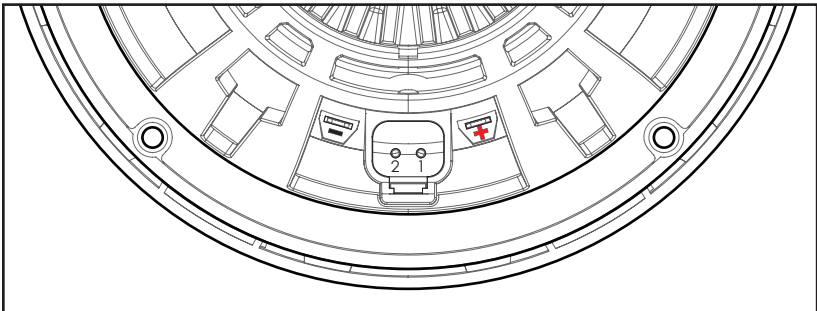
- ⑥ Place the grille on the speaker in a 45° angle.



- ⑦ Apply downward pressure on the grille and twist clockwise to lock.



- ⑧ Connect the speakers to the amplifier or source unit using spade connectors for each terminal.



**Note:** ZERO Series has a standard Deutsch connector compatible connection. (PN: DT04-2P) PIN 1 (+) PIN 2 (-)

## Limited Warranty

### What This Warranty Covers

This is a "Limited" warranty. This warranty covers any defects in materials and workmanship and the warranty only applies to the original purchaser and is not transferable. This warranty is only valid if the original purchase was made from an authorized Wet Sounds dealer.

### How Long Coverage Lasts

This warranty runs for 2 years from the date of the purchase.

### What Is Not Covered

This warranty does not cover fading or discoloration caused by exposure to sunlight or chemicals such as ammonia, household bleach, or any cleaning material that contains abrasive substances. For information on how to prevent fading or discoloration, consult recommendations on cleaning products. Wet Sounds, Inc. does not cover the cost for removal and reinstallation of any kind. Additionally, shipping to Wet Sounds, Inc. is covered by the purchaser. This warranty is void and inapplicable if Wet Sounds deems that the product was abused or misused; including but not limited to Speaker product that has been improperly-powered (under or over powered), causing thermal (burnt voice coil) and/or mechanical failure (torn surrounds or spiders), damage caused by accident, mishandling, improper installation, negligence, normal wear and tear, excessive water or heat damage, freight damage or products that have been altered in any way. (The warranty is not transferable and will neither apply to products purchased from unauthorized dealers nor product owned by anyone other than the original purchaser from an authorized Wet Sounds dealer.) Wet Sounds is not responsible for any damages to a consumer's boat or person from a product failure. The warranty is void if Wet Sounds deems the product was installed or used improperly. Wet Sounds shall not be responsible for any incidental or consequential damages, except to the extent provided (or prohibited) by applicable law.

### What Wet Sounds, Inc. Will Do

Wet Sounds, Inc will repair any part of your product that proves to be defective in materials or workmanship. In the event repair is not possible, Wet Sounds, Inc. will replace the product in question. If it is deemed necessary, Wet Sounds, Inc. will either replace the entire product with a refurbished unit or it will be replaced with a model that is similar in price if that model is no longer available. Labor cost and materials needed to complete this service will be at no charge to the purchaser. Additionally, the cost of shipping to the consumer is also covered under this warranty.

### How to Obtain Warranty Service

Contact Wet Sounds, Inc. either by phone at 877-938-7757 or by email at [warranty@wetsounds.com](mailto:warranty@wetsounds.com). A service representative will assist you in the necessary actions to verify that the problem that you are experiencing is covered under warranty. If it is in fact a warranty issue, Wet Sounds will issue an RA number for tracking purposes and give instructions on sending the product in for evaluation.

### How State Law Applies

This warranty gives you specific legal rights, and you may also have other rights which vary from state to state.

### Internet Warning

Wet Sounds, Inc. products sold on any unauthorized website or internet auction site are void of any and all manufacturer's warranty. Please contact Wet Sounds at 877-938-7757 or visit our website at [www.wetsounds.com](http://www.wetsounds.com) to search for an authorized site and/or an authorized retailer near you.

### Caution & Respect

Wet Sounds speakers can achieve very high sound pressure levels. Please use this product responsibly. Be aware that sound travels great distances across water so please respect other boaters especially while loading/unloading at the ramp or dock. Wet Sounds, Inc. is not responsible for any violations of the law that may be a direct result of excessive volume. Please abide by the rules but have fun doing it.



Z | E  
— | —  
R | 0

# ZERO SERIES™



PROUDLY  
DESIGNED  
IN THE  
**USA**

**Wet Sounds, Inc.**  
[www.wetsounds.com](http://www.wetsounds.com)  
877-938-7757

2975 Louise Street  
Rosenberg, Texas 77471 USA

© 2024 Wet Sounds, Inc. All Rights Reserved. WET SOUNDS and associated logos where applicable are registered trademarks of Wet Sounds Corporation in the United States and/or other countries. All other trademarks are the property of their respective owners.